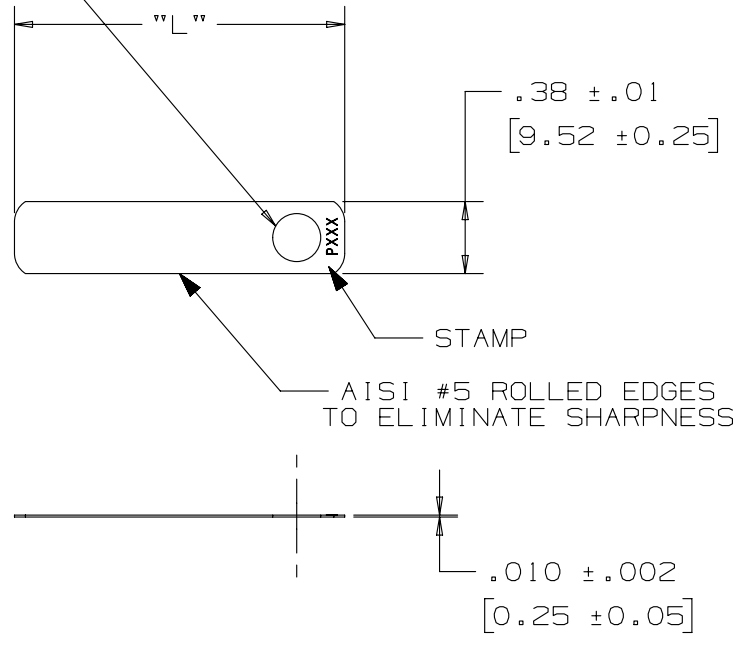


THIS COPY IS PROVIDED ON A RESTRICTED BASIS AND IS NOT TO BE USED IN ANY WAY DETRIMENTAL TO THE INTERESTS OF PANDUIT CORP.

PANDUIT PART NUMBER	MATERIAL	PACKAGE QUANTITY	LENGTH = "L" ±.02	STAMP
MT172W38-C	304 SS	100	1.72 [ 43 ]	P304
MT350W38-C316	316 SS	100	3.50 [ 89 ]	P316

.25 [ 6.3 ] DIA THRU



NOTES:

- BRACKETS [ ] DENOTES DIMENSIONS IN MILLIMETERS
- CUSTOM PERMANENT MARKING AVAILABLE. CONSULT FACTORY

REV	DATE	BY	CHK	APR	DESCRIPTION	ECN
05A	3/13	JAMB	MIM	RGRO	UPDATE DRAWING TO NEW PANDUIT TITLE BLOCK WITH PANDUIT LOGO	SSECN01031
04	5/05	JAMB	EJD	JJB	ADDED PART NO. MT350W38-C316	12679
03	10/03	BRH	DPN	JJB	REMOVED PART NO. MT350W38 FROM TABLE	11168
02	5/02	JAMB	DPN	JJB	MATERIAL FOR PART NO. MT172W38-C WAS 302 SS STAP WAS "P302"	10040
01	1/01	KMD	JAC	JAC	REMOVED MT 172W-38-C316 & MT350W38-C FROM TABLE . CAD FILE SPEC WAS NPC_S41063_00	09063
00	11/91	SM	JAC	LA	RELEASED	00679

TITLE		<b>METAL TAGS - 1 HOLE</b>	
ITEM REVISION NAME		CUSTOMER DRAWING	
DATASET FILE NAME		<b>PANDUIT</b>	
UNLESS OTHERWISE SPECIFIED, DIMENSIONAL TOLERANCES ARE: IN [ mm ]		MATERIAL:	
.x ± .1 [ 2.54 ]      .xxx ± .005 [ .127 ]		<b>STAINLESS STEEL</b>	
.xx ± .01 [ .25 ]      ANGLES ± 5 °		DRAWING NUMBER:	
		<b>N41063BS_DC</b>	
DRAWN BY	DATE	CHK	SCALE
SAM	11-11-91	JAC	1:1
SHT 1 OF 1			SIZE
			A